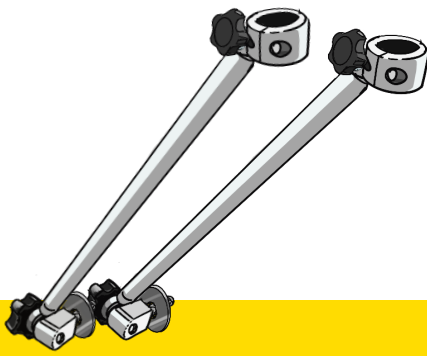


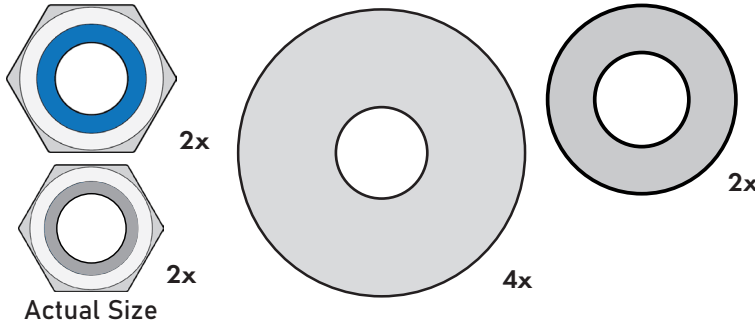


# Vertical Standoff Brace



## INSTALLATION MANUAL

### Included Hardware Identification



For the Fisherman that needs a little extra stability, our T-Top Vertical Standoff Brace pack is here for you. These Vertical Standoffs help strengthen your t-top in rough waters. They work well on skiffs, inflatable RIBs, and other smaller center console style boats.

### Gather Additional Tools and Materials

Permanent Marker



Hand Drill



Loctite® 242 Blue



7/16" Drill Bit



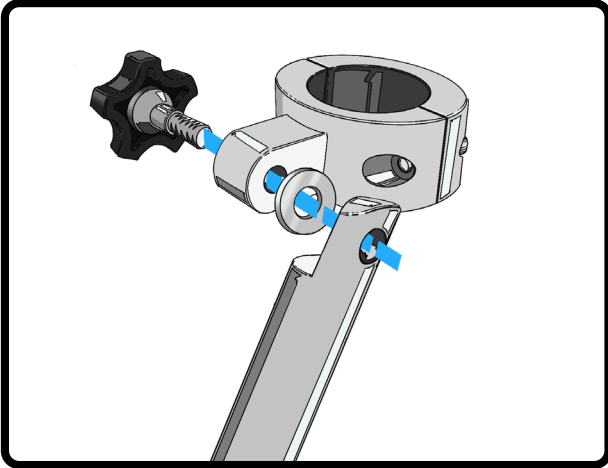
\*Loctite® 242 Blue can be applied to any bolt during assembly to ensure a locking fit.



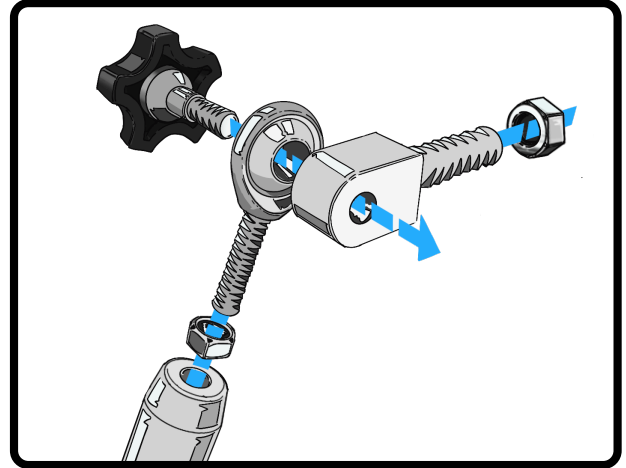
Do you have questions? Call us @ 877.777.8693 Monday – Friday, 8am-5pm EST

## Step 1: Assemble and Position Standoff

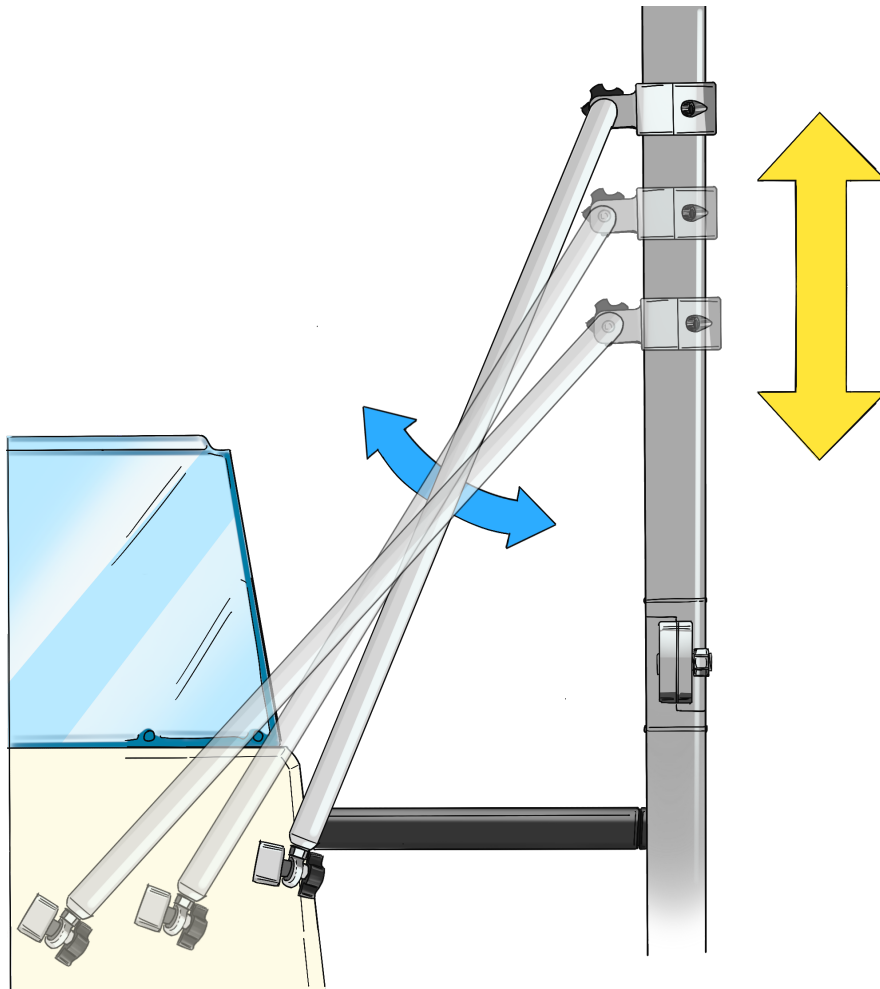
1. Assemble the t-top bracket with the quick release knob and plastic washer.



2. Screw the jam nut and heim joint to the standoff brace then attach the console brace with the quick release knob.



3. You can now move the T-Top brace up and down and rotate it while determining where on the console you will mount the console bracket.

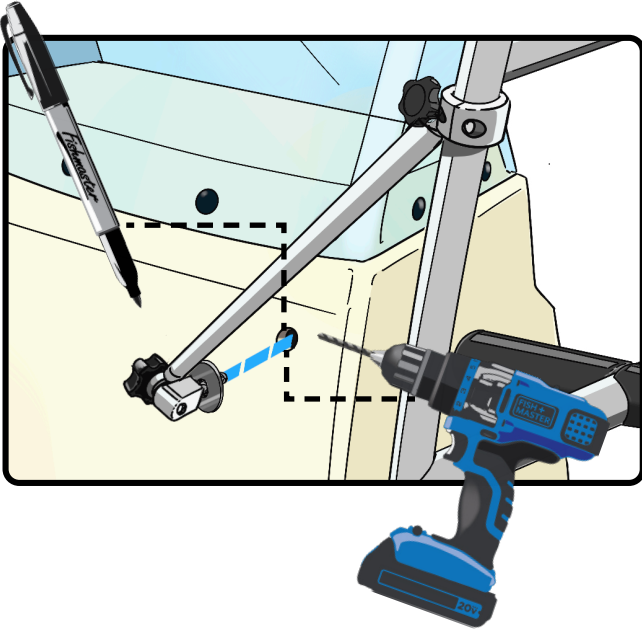


Do you have questions? Call us @ 877.777.8693 Monday - Friday, 8am-5pm EST

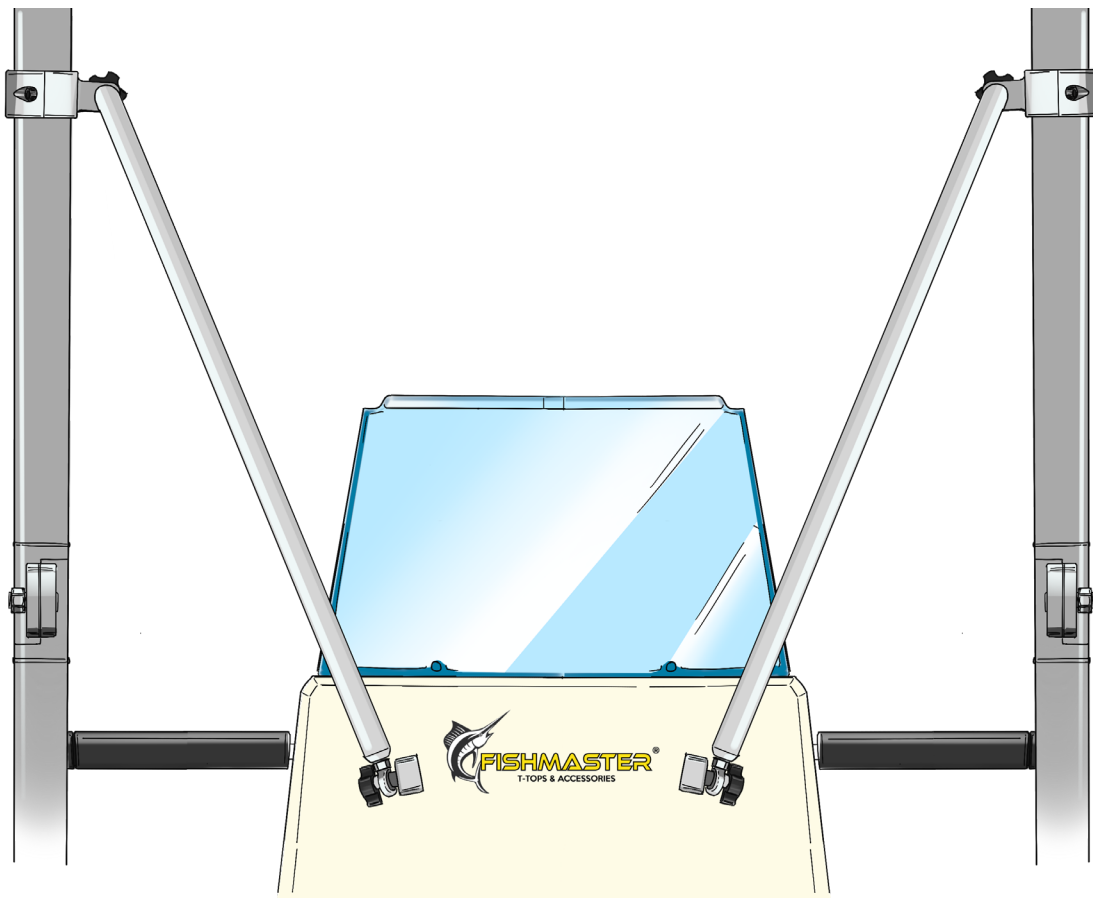
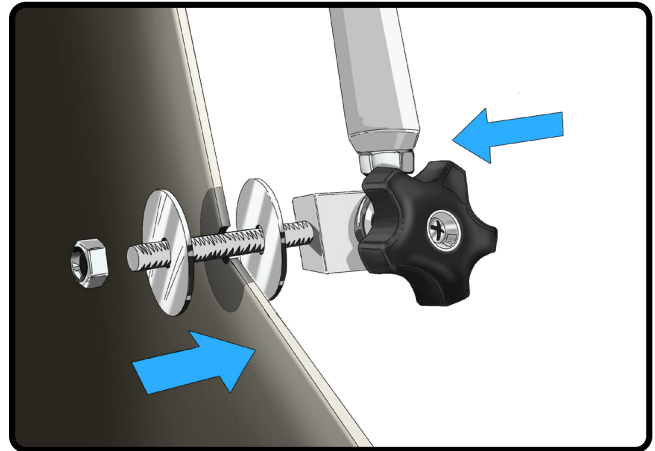
2

## Step 2: Drill Holes and Mount Standoff

1. Mark the locations for the console mounts and drill the hole for the bolt. You should run the bit in reverse and chamfer the edges with a larger bit.



2. Use a console bracket washer on each side of the fiberglass to distribute the load and fasten with the lock nuts.



Do you have questions? Call us @ 877.777.8693 Monday - Friday, 8am-5pm EST