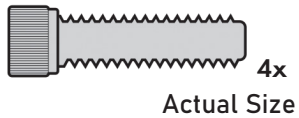


Universal 1" Rail Mount

INSTALLATION MANUAL

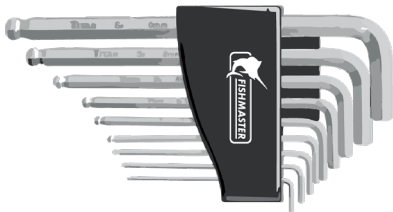
Included Hardware Identification



Mount any accessory made to clamp onto a 1" railing. The Universal 1" Rail Mount is marine grade aluminum with a polished and anodized finish. Love it or return it, **GUARANTEED!**
Tube Diameter: 1" / Tube height: 2"

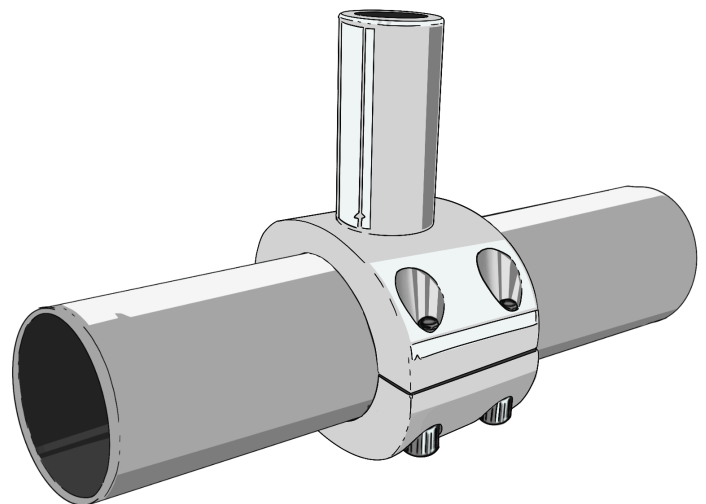
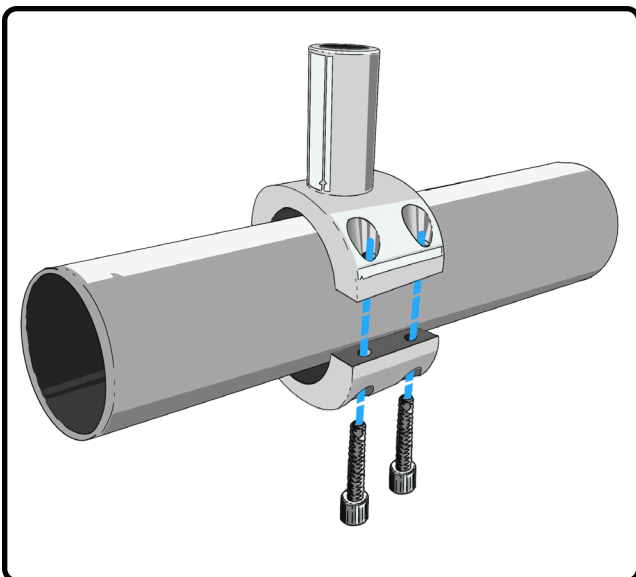
Gather Additional Tools and Materials

Allen Wrench Set



Installing the Mount on Frame

1. To install, simply determine where you would like to have it mounted. Place on t-top in the desired location and then tighten down the screws.



Do you have questions? Call us @ 877.777.8693 Monday - Friday, 8am-5pm EST