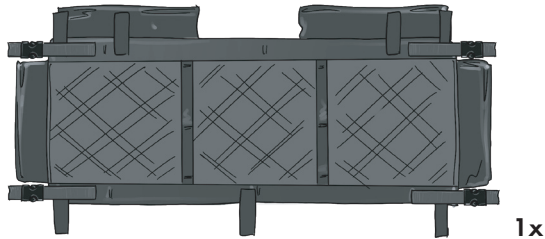




T-Top Storage Bag

INSTALLATION MANUAL

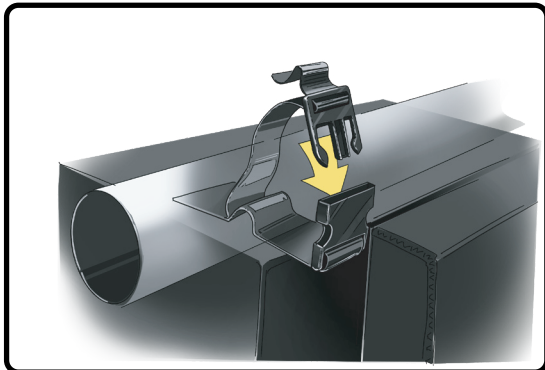
Included Hardware Identification



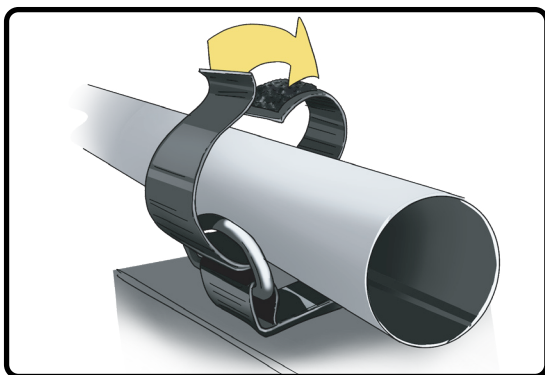
The Fishmaster T-Top Storage bag is the perfect addition to any center console fishing boat. Immediately, it creates extra storage space for up to 6 type-II life jackets. It is also a great way to store throwables and other personal flotation devices. The Storage Bag also has several enclosed pockets that will keep personal items safe and easily accessible.

Step 1: Attach Straps to T-Top

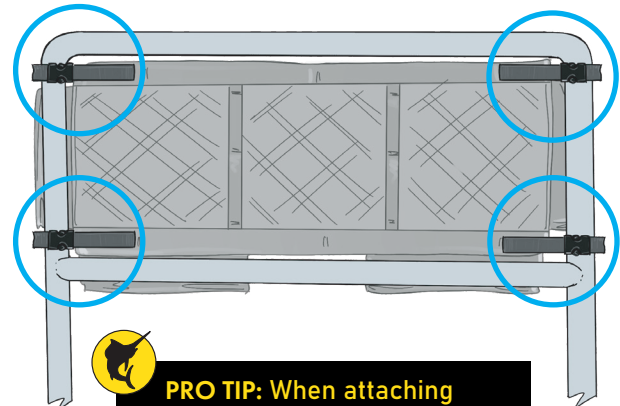
1. Loosen the large buckle straps then attach to the outer t-top frame and tighten.



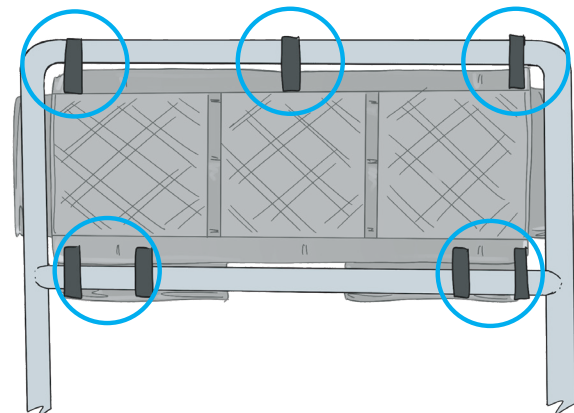
2. Secure the other 7 smaller Velcro straps in place around the t-top frame.



Top View



PRO TIP: When attaching the bag to the t-top, place the Fishmaster logo towards the aft.



Do you have questions? Call us @ 877.777.8693 Monday - Friday, 8am-5pm EST