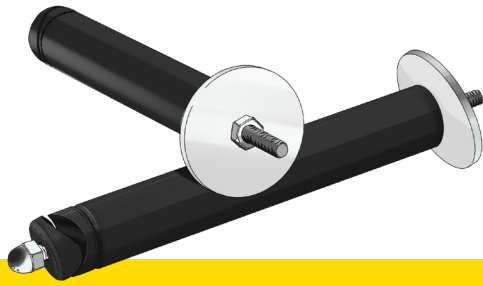
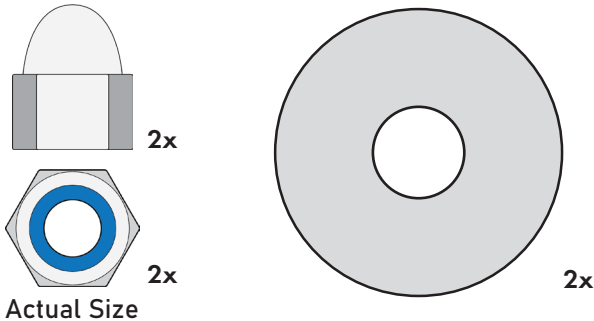


Standoffs



INSTALLATION MANUAL

Included Hardware Identification



For the Fisherman that needs a little extra stability, our T-Top standoff pack is here for you. These are the same standoffs that come standard with each Fishmaster T-Top. They are used for structural strengthening. Works well on skiffs, inflatable, RIBs, and other center console style boats.

Gather Additional Tools and Materials

14" Long
3/8" Drill Bit



Hand Drill



Permanent Marker



Loctite[®] 242 Blue



Fine Tooth Handsaw



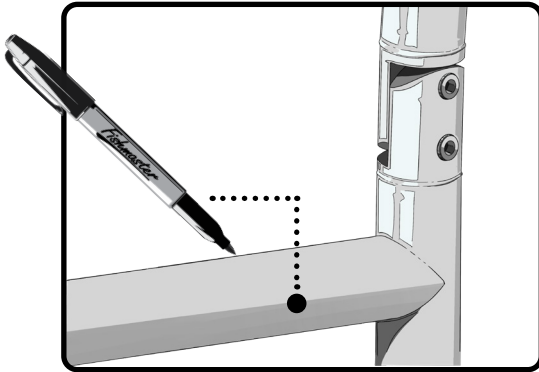
*Loctite[®] 242 Blue can be applied to any bolt during assembly to ensure a locking fit.



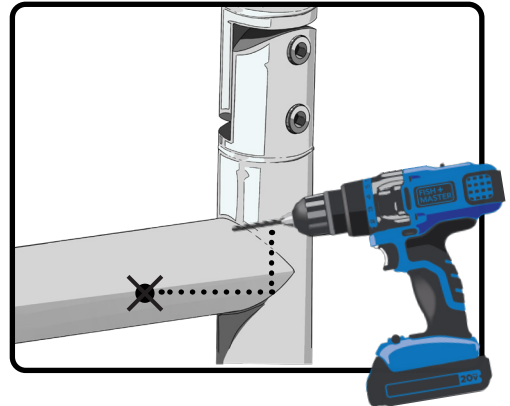
Do you have questions? Call us @ 877.777.8693 Monday - Friday, 8am-5pm EST

Step 1: Drill Holes and Cut Standoff

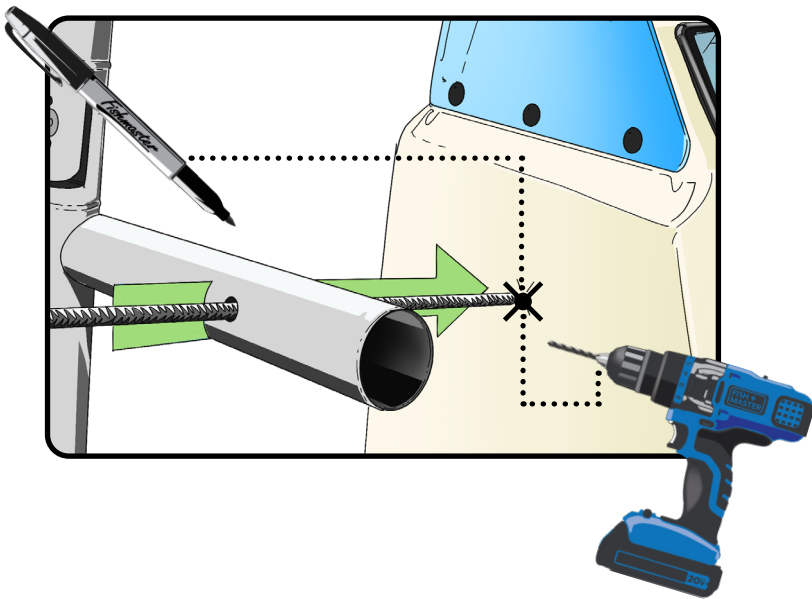
1. Mark to know where to place the standoff.



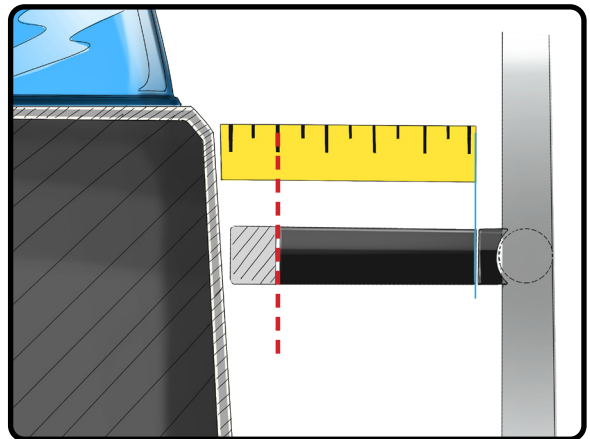
2. Use a 3/8" drill bit to drill a hole through the side upright.



3. Place the standoff rod through the hole and mark where it touches. Use the 14" long 3/8" drill bit or preferred drill bit to drill hole.



4. Measure standoff and cut with a fine tooth handsaw to the appropriate length.

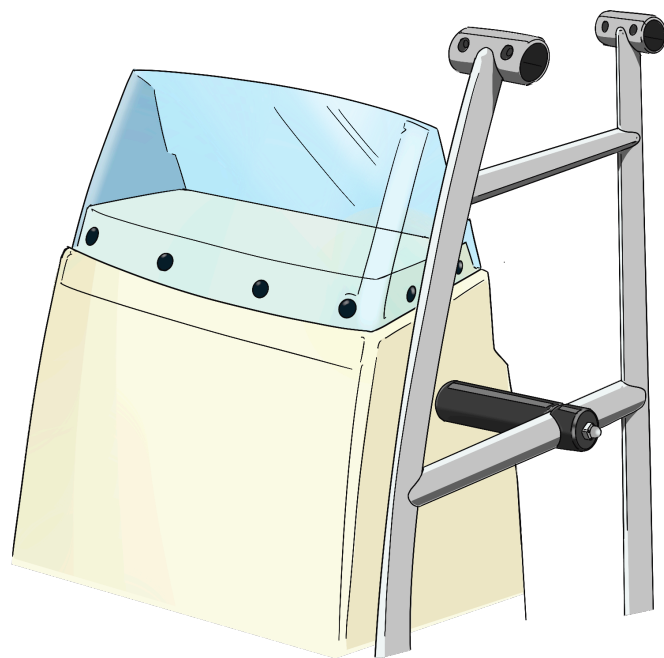
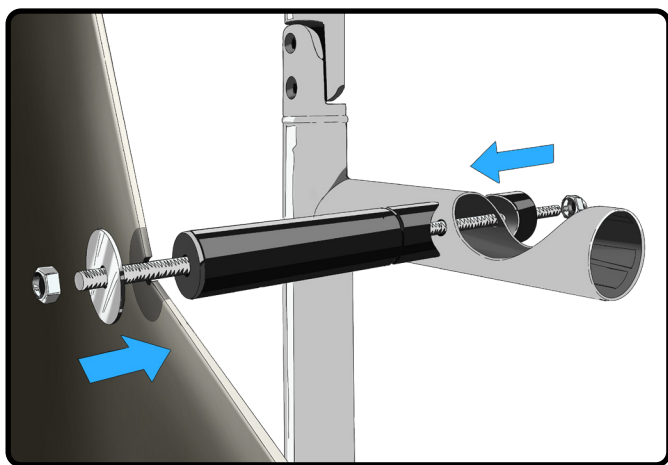


Do you have questions? Call us @ 877.777.8693 Monday – Friday, 8am-5pm EST

Step 2: Assembling The Standoffs



1. Assemble the standoff through the leg and from the inside of the console.



*Be sure to repeat these steps for the second standoff.



Do you have questions? Call us @ 877.777.8693 Monday - Friday, 8am-5pm EST

3