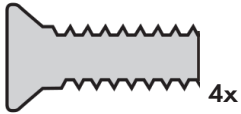




# Ratchet Antenna Mount

## INSTALLATION MANUAL

### Included Hardware Identification



4x



4x



4x

Actual Size

Perfect for your Antenna as this mount offers several angles of positioning to always have the best reception when you out on the water!  
Mount Base: 3-3/4" long x 2-1/4" wide  
Length of center to center hole: 2-7/8"  
Width of center to center hole: 1-3/8"

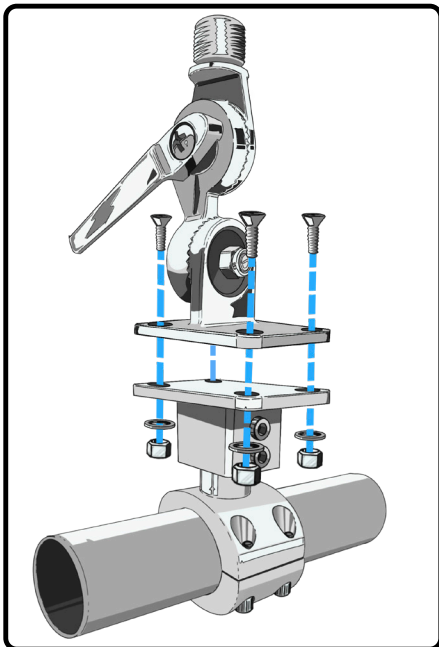
### Gather Additional Tools and Materials

Screwdriver

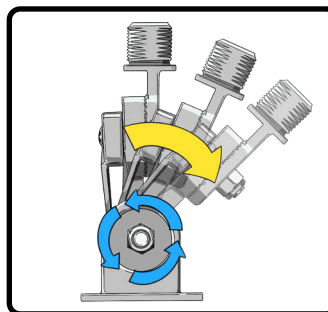
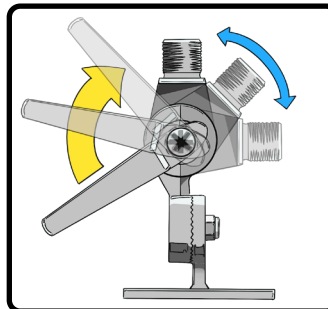


### Installing the Ratchet Antenna Mount

1. Place on Folding Antenna Bracket then tighten down the bolts with the washer and nut on the underside.
2. Loosen the handle or nut to adjust the positioning of the antenna mount.



\*Shown with Folding Antenna Bracket



Do you have questions? Call us @ 877.777.8693 Monday – Friday, 8am-5pm EST