



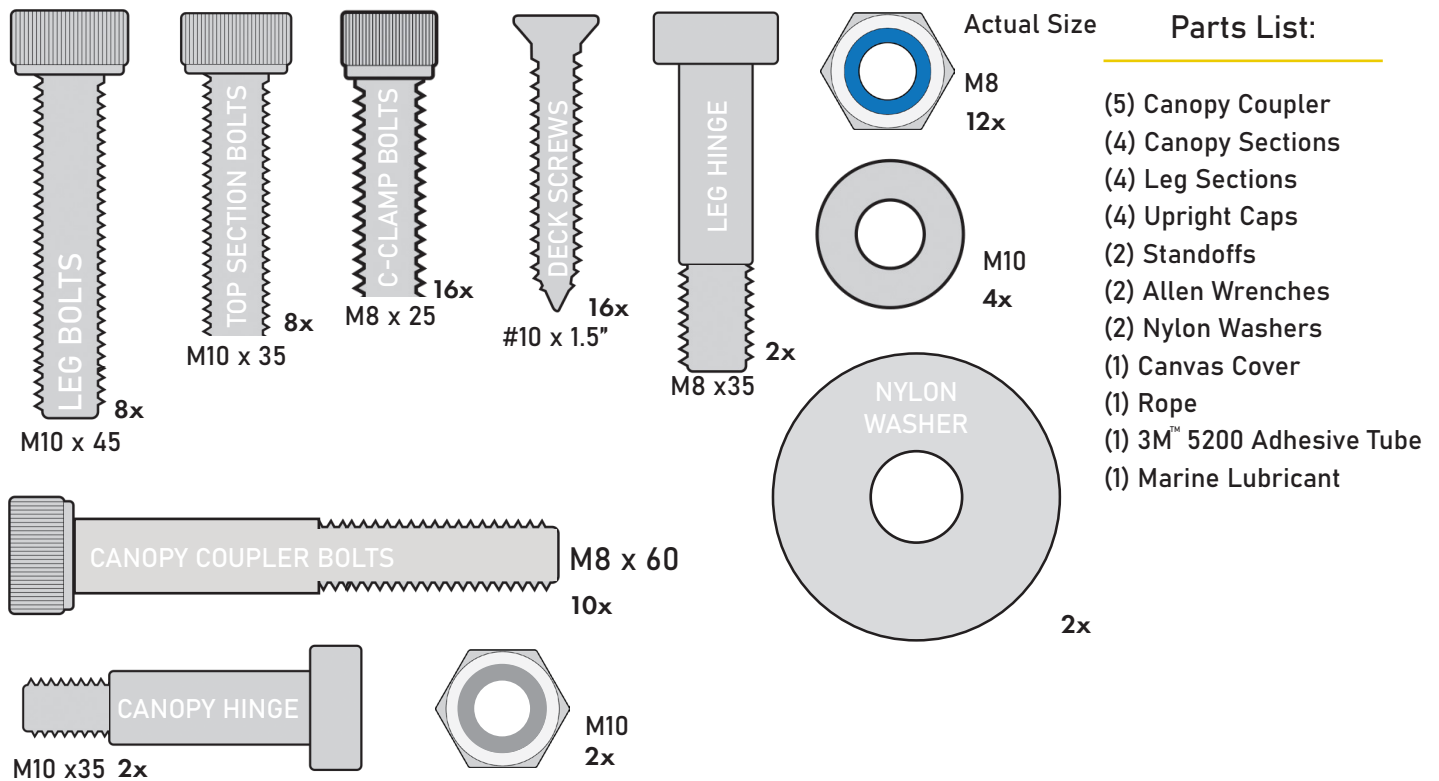
INSTALLATION MANUAL

Pro Series T-Top

Custom Fit Canvas Canopy Included



Included Hardware Identification



Gather Additional Tools and Materials

Reversible Drill	Permanent Marker	45 Degree Chamfer Bit
3/16" Drill Bit	Level	(16) 8" Cable Ties
Screwdriver	Hammer	Marine Grease for Bolts
Blue Painter's Tape	Center Punch	* Loctite® 242 Blue
Tape Measure		14" Long 3/8" Drill Bit



CAUTION: If you are unfamiliar with your boat's construction, please seek professional advice before installing the t-top.

For added assistance when installing the t-top, please consider watching the installation video at: fishmaster.com
Or call us at 877-777-8693

As you plan to install the, Fishmaster Pro Series T-Top, keep in mind that drilling into the console and deck of the boat is needed in order to safely secure the t-top to the boat.

WARNING



Pinch Point.

Keep hands clear when folding.

- Use caution when approaching bridges and other overhead structures.
- Do not attach ropes of any kind or pull any type of watersports device from this T-Top.
- Do not climb, stand, or ride on the T-Top at any time.
- Inspect bolts before each use and keep all hardware tightened.
- Do not modify this product in any way.
- Fishmaster is not liable for personal injury or damage to boat from the use of this product.
- US Patent # 7418918

Form #PP1218

Rev 1.0

*Loctite® 242 Blue can be applied to any bolt during assembly to ensure a locking fit.

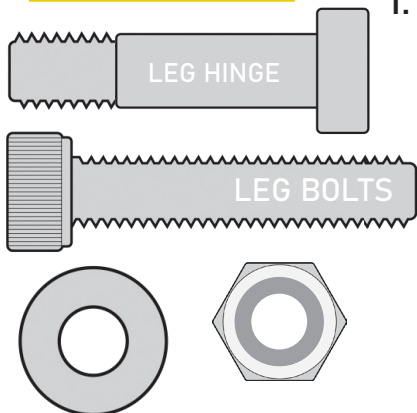


Do you have questions? Call us @ 877.777.8693 Monday - Friday, 8am-5pm EST

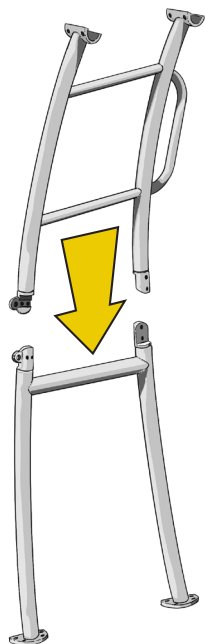
2

Step 1: Assemble Side Sections

Hardware Needed:

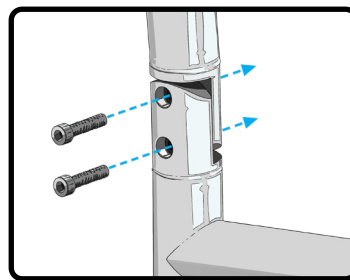


1. Attach leg sections together with the hinge facing the bow of the boat.

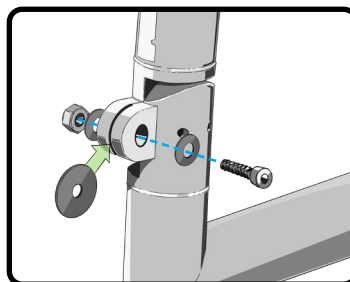


PRO TIP: Get the bolts snug in place first, then come back to tighten down fully after each step.

2. Insert the M10x45 bolts to connect the top and lower sections.

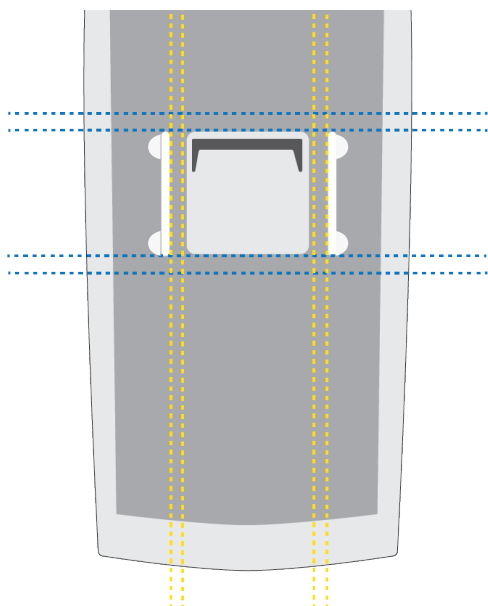


3. Insert the nylon washer followed by the hinge bolt and lock nut into the hinge.

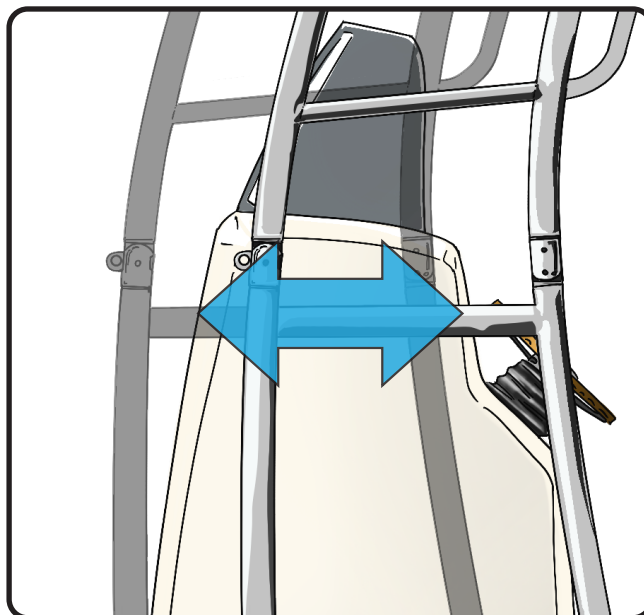


Step 2: Positioning The Assembled Legs

1. It is important to understand the placement of the legs will need to be square and even with the opposite side of the console.



PRO TIP: It is recommended to place the leg 1"-7" away from the sides of the console.



Do you have questions? Call us @ 877.777.8693 Monday - Friday, 8am-5pm EST

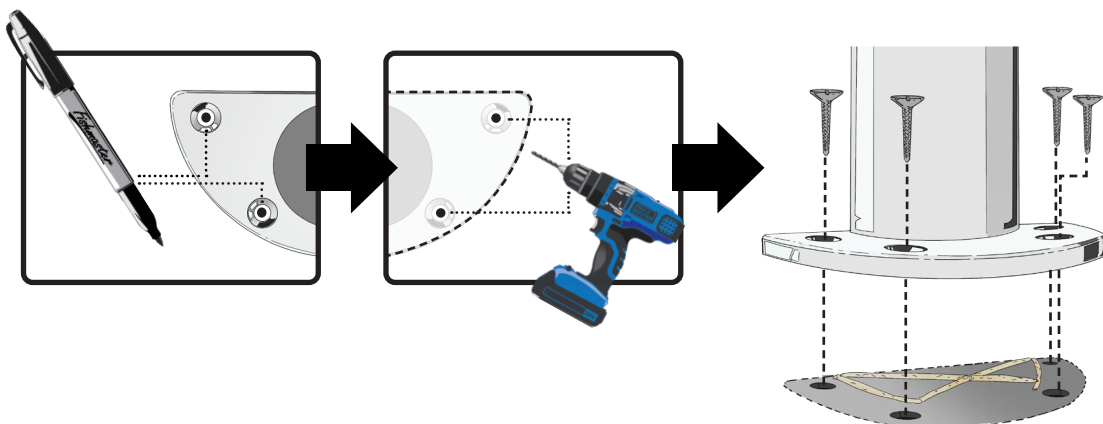
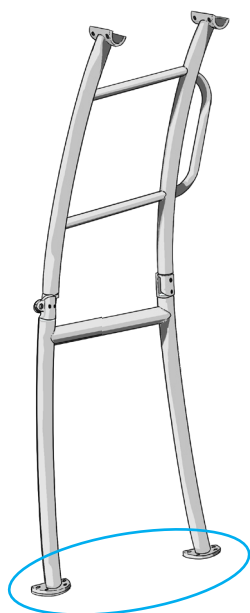
3

Step 3: Mounting Legs To Boat

Hardware Needed:



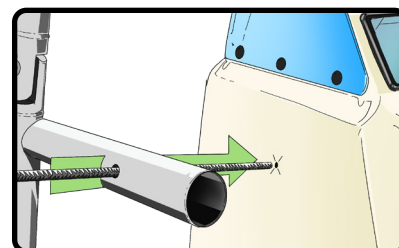
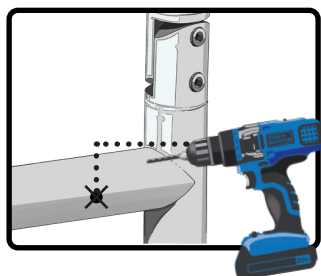
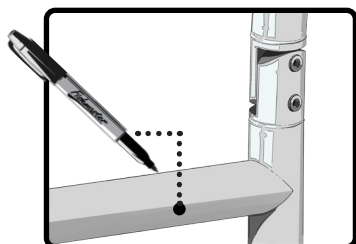
1. Mark the holes to know where to drill.
2. DRILL IN REVERSE, and use a 45 degree chamfer drill bit to prevent gel coat damage.
3. Attach leg sections to the boat by applying 3M™ 5200 marine adhesive between and in the holes. Then screw down the foot.



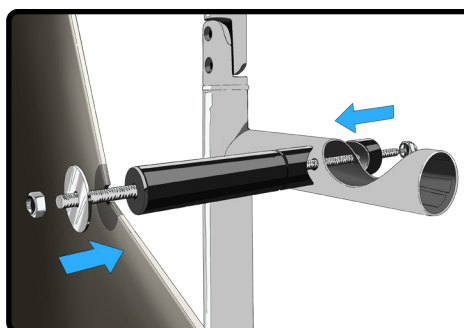
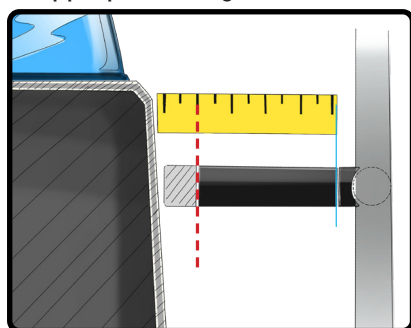
* Do not apply 3M™ 5200 adhesive to deck or screw holes until parts 1-2 of Step 3 is completed to both the front and rear feet.

Step 4: Assembling The Standoffs

1. Mark to know where to place the standoff.
2. Using a 3/8" drill bit, drill a hole through the side upright.
3. Place the standoff rod through the hole and mark where it touches on the console. Use 14" long 3/8" Drill Bit.



4. Measure standoff and cut with a fine tooth handsaw to the appropriate length.
5. Assemble the standoff through the leg and from the inside of the console.

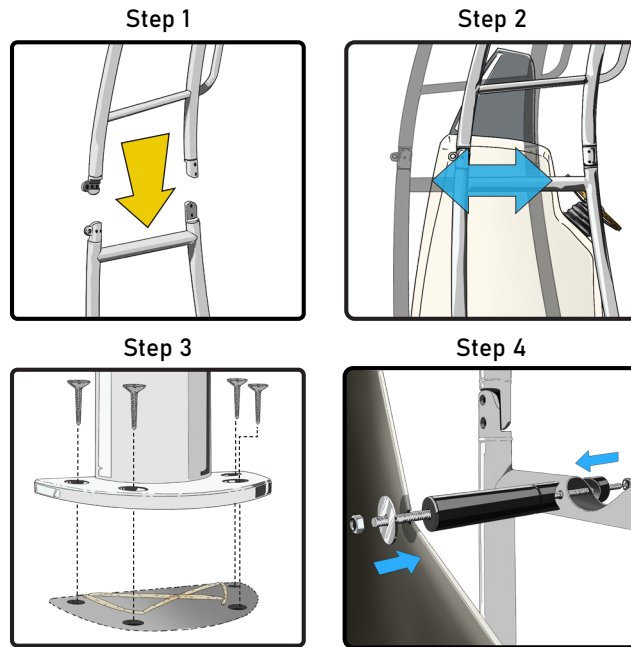
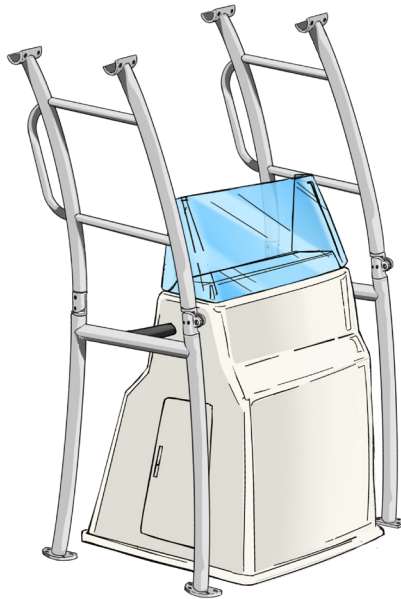


Do you have questions? Call us @ 877.777.8693 Monday - Friday, 8am-5pm EST

4

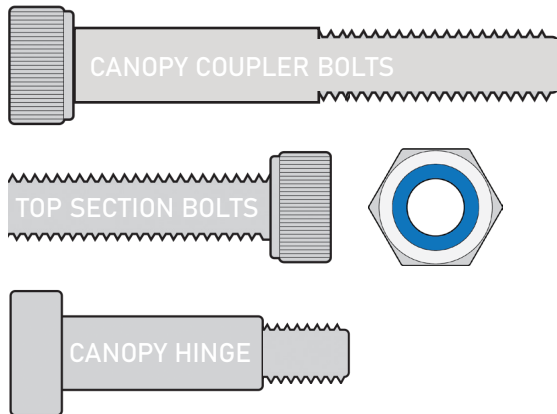
Step 5: Repeat Steps 1-4 For Second Leg

- Repeat steps 1-4 to properly assemble the second leg and mount it to the deck.

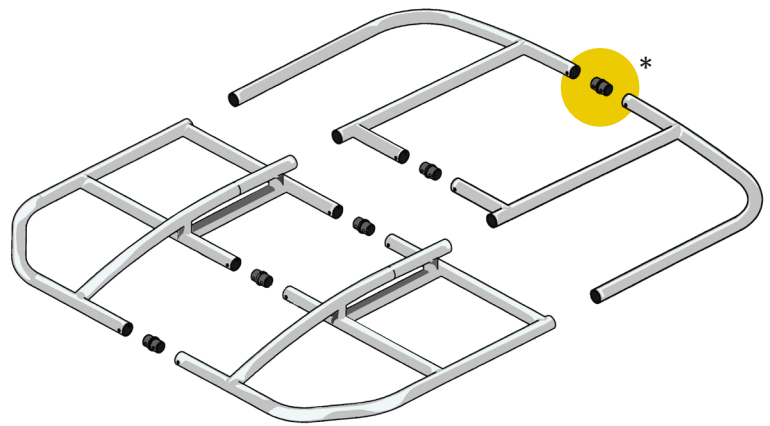


Step 6: Assemble The Canopy

Hardware Needed:

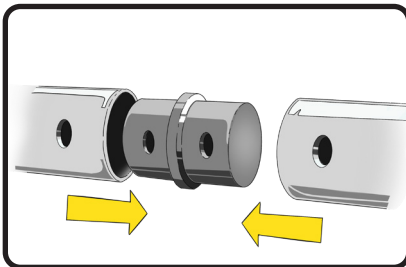


- Gather the parts to the canopy.

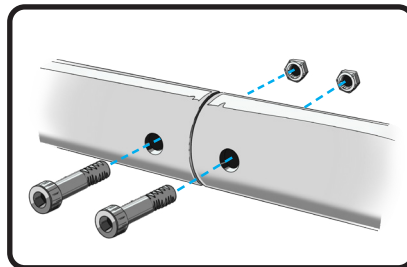


*If the coupler is in a colored bag, that is the designated rear coupler.

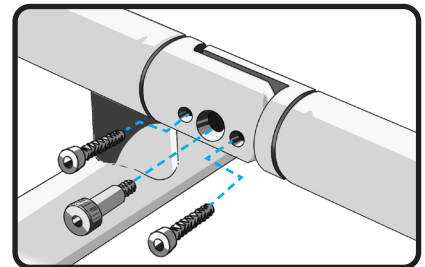
- Insert the double ended canopy couplers into the inner/outer rails.



- Install bolts to join the canopy sections together.



- Remember to install the hinge bolts.

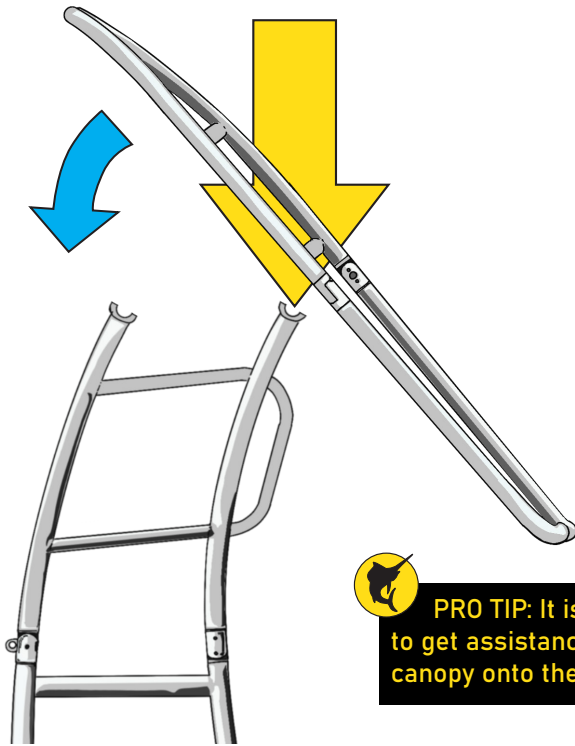


Do you have questions? Call us @ 877.777.8693 Monday - Friday, 8am-5pm EST

5

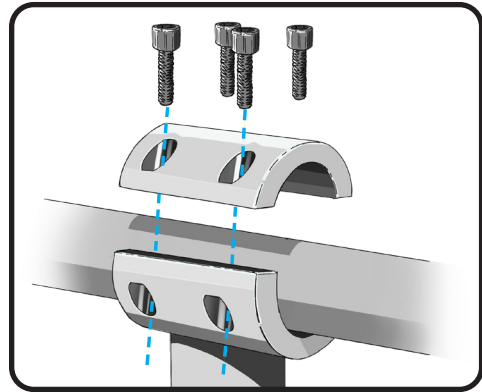
Step 6: Assemble The Canopy (continued)

1. Install the canopy to the legs by resting it into the c-clamp and tilting it forward.



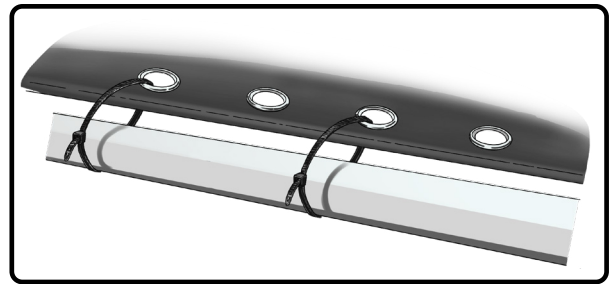
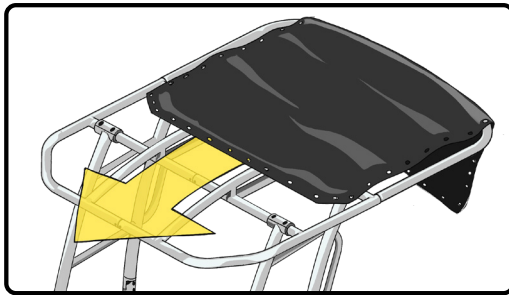
PRO TIP: It is recommended to get assistance in placing the canopy onto the legs.

2. Insert the bolts into the c-clamps.

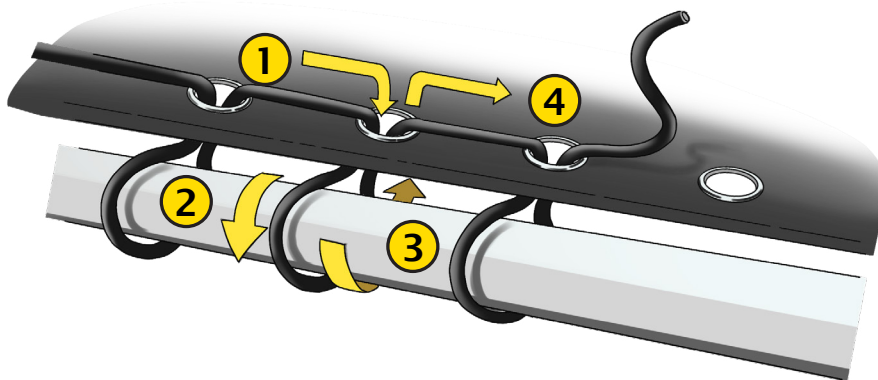


Step 7: Attaching the Canvas Top

1. Slide the canvas top onto the canopy of the tower. Make sure the white I.D. tag is facing the rear and on the underside.
2. Keep the canvas in place by first attaching cable-ties. Maintain an even spacing between the canvas and the tubes.



3. Thread the rope through each grommet and over the bars as shown below. Remove the cable-tie afterwards.



PRO TIP: With a firm tug, tighten the canvas down like a drum head.



Do you have questions? Call us @ 877.777.8693 Monday - Friday, 8am-5pm EST

6



Congratulations,

You have just successfully installed your new Fishmaster Pro Series T-Top!

Send us a picture of your install out on the water to our gallery on Fishmaster.com and we will send you a FREE t-shirt!

Tag us on social media to be featured on our feed! Welcome to our fishing team!



@fishmasterinc



fishmasterinc



Do you have questions? Call us @ 877.777.8693 Monday – Friday, 8am–5pm EST