

# Quick Release Knobs

for Original T-Top

## INSTALLATION MANUAL

### Included Hardware Identification

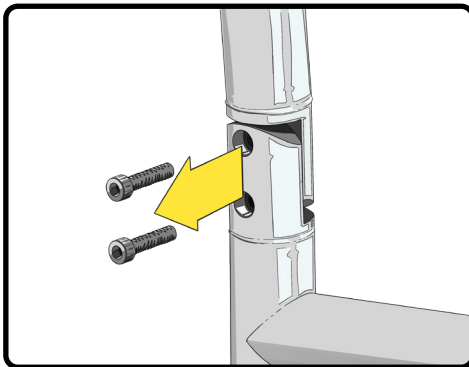
(8) Black Quick Release Knobs

### Gather Additional Tools and Materials

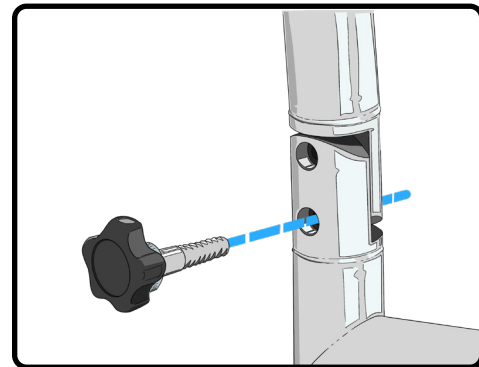
Allen Wrench Set

### Step 1: Adding Quick Release Knobs to Legs

1. Remove the M10 Bolts on each of the legs. Leave the hinge bolt.

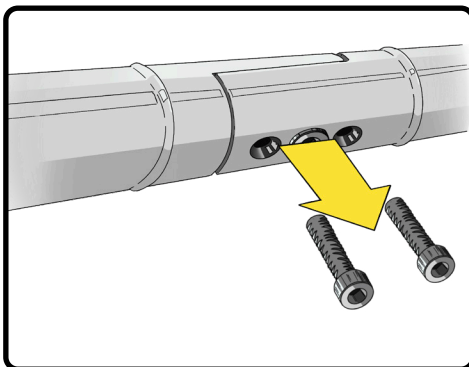


2. Screw in one Quick Release Knob in top or bottom hole on leg section. There will be an open hole on each leg.

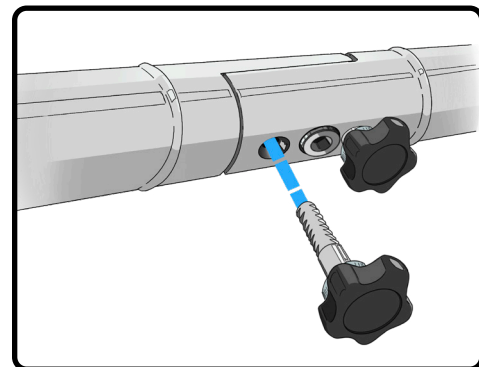


### Step 2: Adding Quick Release Knobs to Canopy Section

1. Remove the M10 Bolts on one side of the outer canopy section.



2. Replace bolts with 2 Quick Release Knobs. Repeat on other side of tower.



Do you have questions? Call us @ 877.777.8693 Monday – Friday, 8am-5pm EST