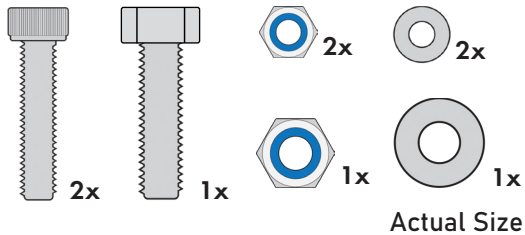


Spreader Light

INSTALLATION MANUAL

Included Hardware Identification



Fishmaster's LED spreader lights are a must for providing a bright light with a low draw. These LED lights have rotating capabilities, which is ideal for illuminating behind or inside your boat.

Gather Additional Tools and Materials

Lightweight String

Electrical Tape

Wire Loom

Electrical Wire

Socket Wrench

Shop Vacuum

Quick Connectors/Disconnectors

Hand Drill



Permanent Marker



5/32" Drill Bit



WARNING: To prevent personal injury, disconnect power when installing or servicing electrical product.

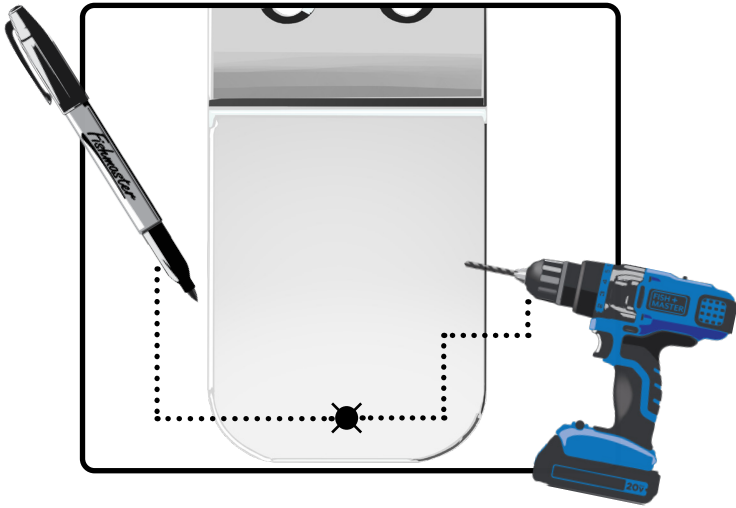


Do you have questions? Call us @ 877.777.8693 Monday - Friday, 8am-5pm EST

1

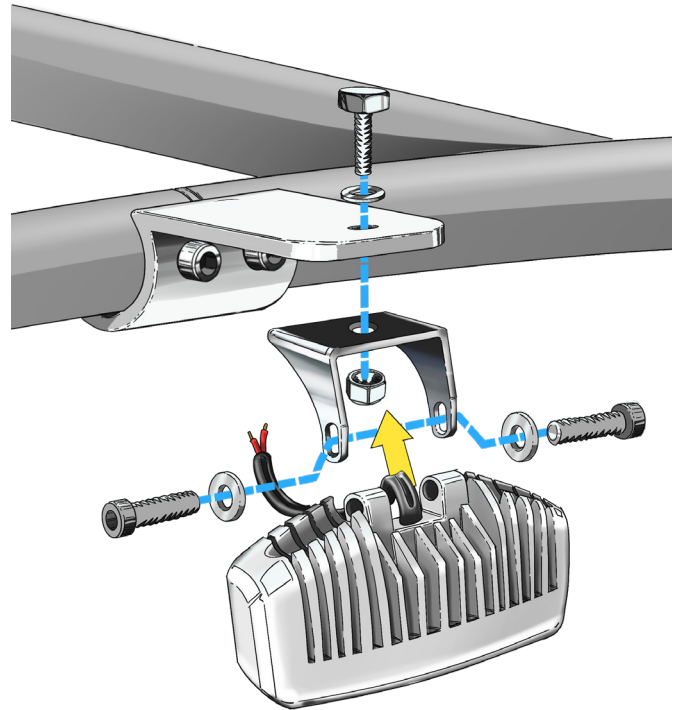
Step 1: Drill Holes For Accessory

1. Using a permanent marker and 5/32" drill bit, mark drill your desired mounting location and drill holes.



PRO TIP: The Universal Mounting Bracket is not required, but does provide a flat area and lines up with the Fishmaster T-top bolt holes so there's no drilling into the tower.

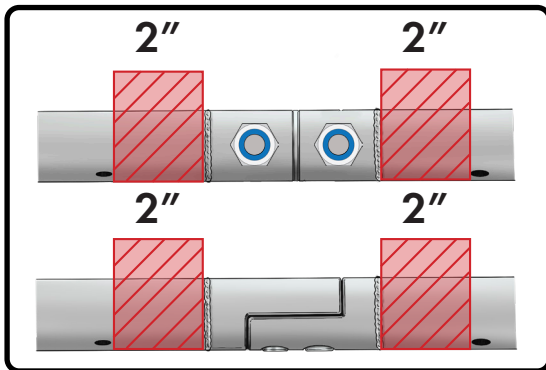
2. Mount the LED Spreader Light using the provided bolts and nuts.



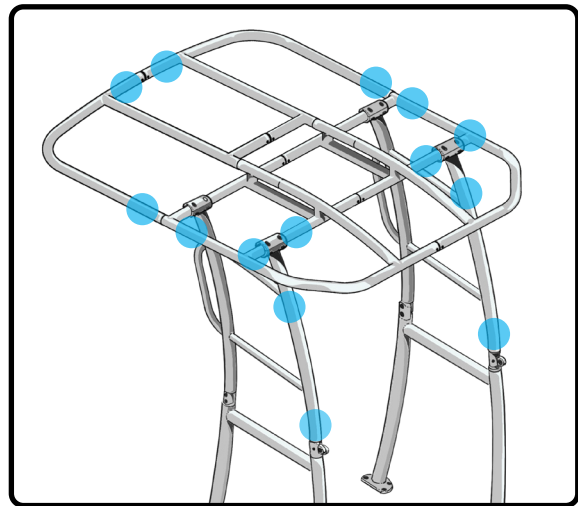
*Shown with Universal Mounting Bracket

Step 2: Drill Holes For Wires

1. Before drilling into your t-top, measure 2" away from any weld seams.



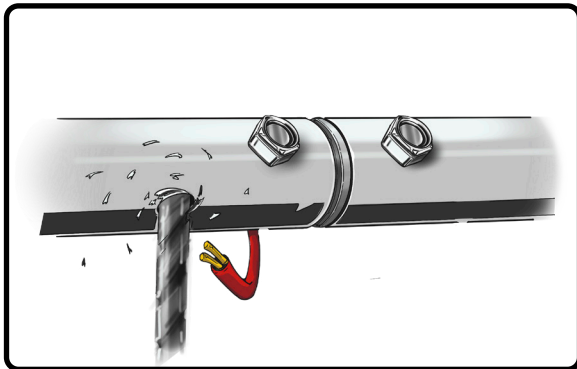
2. It is common to drill and run your wire through these highlighted spots. Make sure to run the wire ONLY on either the right or left side.



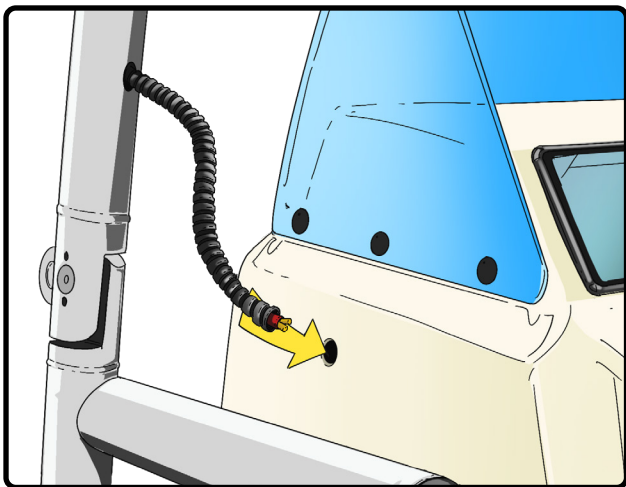
Do you have questions? Call us @ 877.777.8693 Monday - Friday, 8am-5pm EST

Step 2: Drill Holes For Wires (continued)

3. After selecting and drilling the holes, insert your wire and pull it through the frame. The maximum drilled hole size should be no more than 1/2". Check out our video online for more wiring tips.

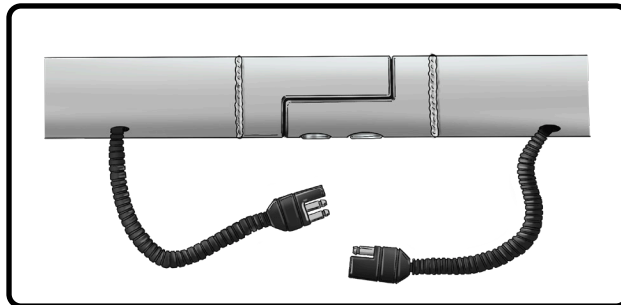


5. Run the wire through the frame and drilled holes until you come to the desired location such as the console or electronics box.

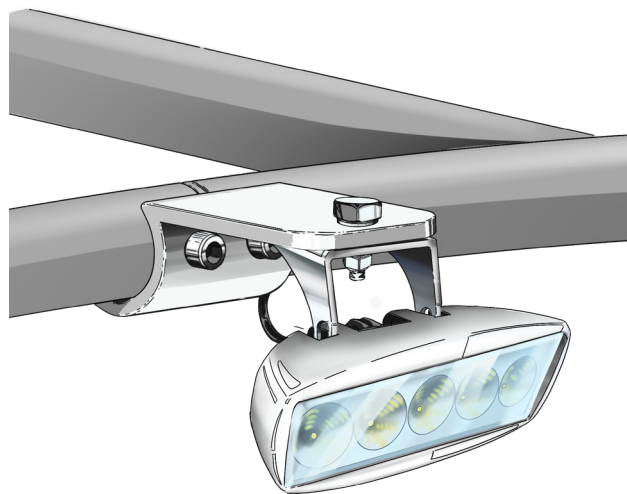


PRO TIP: We recommend covering the exposed wire with wire loom for a professional appearance.

4. When you come to a hinge, it is recommended to add a quick disconnect to the wire or give enough slack to allow the t-top to fold.



PRO TIP: When running your wire through, it is easiest to use lightweight string attached to the wire and a shop vacuum to suction the string through the drilled holes, then pulling the wire through.



*Shown with Universal Mounting Bracket



Do you have questions? Call us @ 877.777.8693 Monday – Friday, 8am–5pm EST

3