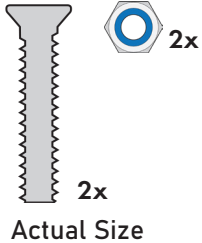


# Navigation Light

## INSTALLATION MANUAL

### Included Hardware Identification



This 360 degree running light is bright enough to let other boaters know where you are which will keep you safe on the water at dusk and through the night. To navigate waterways at dusk and night it is required by the U.S. Coast Guard to be visible up to 2 nautical miles. This meets the ABYC A16 standard for LED light.

### Gather Additional Tools and Materials

- Lightweight String
- Electrical Tape
- Wire Loom
- Electrical Wire

- Socket Wrench
- Shop Vacuum
- Quick Connectors/Disconnectors

Hand Drill



Permanent Marker



Screwdriver



5/32" Drill Bit



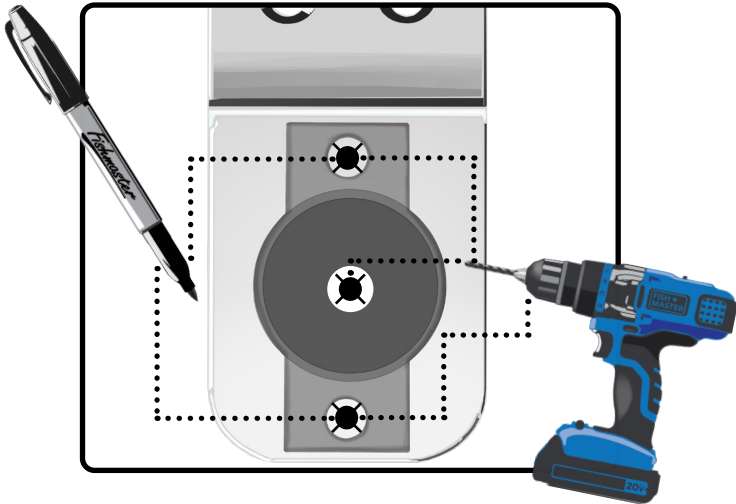
**WARNING:** To prevent personal injury, disconnect power when installing or servicing electrical product.



Do you have questions? Call us @ 877.777.8693 Monday – Friday, 8am–5pm EST

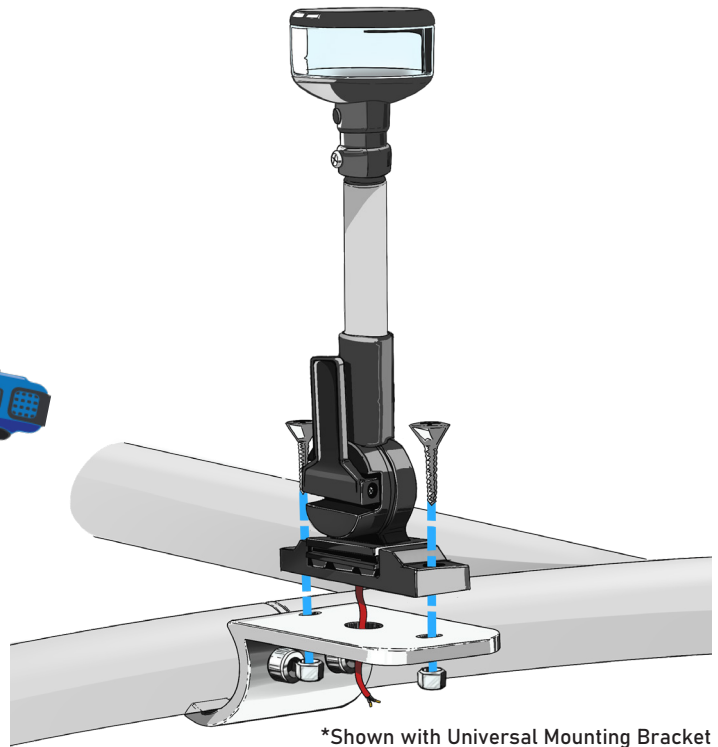
## Step 1: Drill Holes For Accessory

1. Using a permanent marker and 5/32" drill bit, mark drill locations and drill holes. The LED Navigation Light can be mounted directly to the t-top or to our Universal Mounting Bracket.



**PRO TIP:** The Universal Mounting Bracket is not required, but does provide a flat area and lines up with the Fishmaster T-top bolt holes so there's no drilling into the tower.

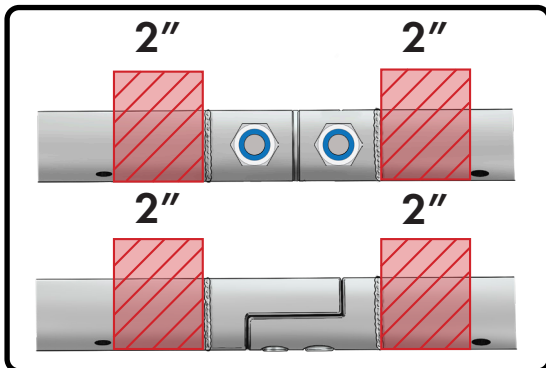
2. Mount the LED Navigation Light using the provided bolts and nuts.



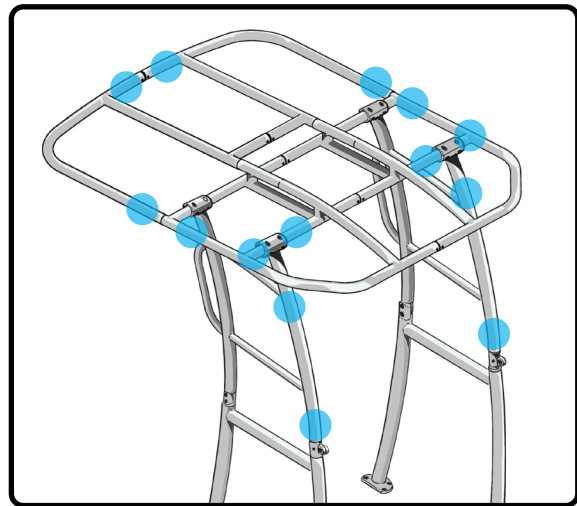
\*Shown with Universal Mounting Bracket

## Step 2: Drill Holes For Wires

1. Before drilling into your t-top, measure 2" away from any weld seams.



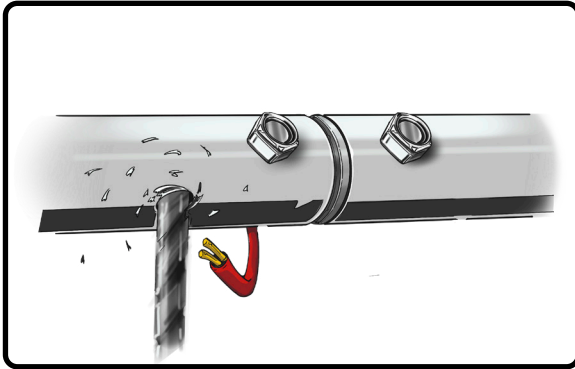
2. It is common to drill and run your wire through these highlighted spots. Make sure to run the wire ONLY on either the right or left side.



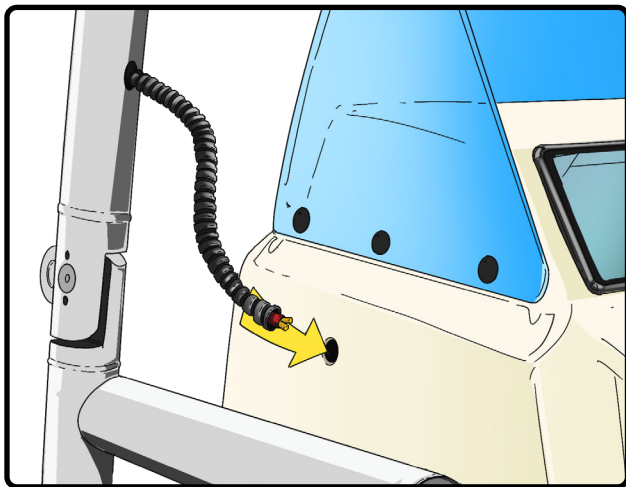
Do you have questions? Call us @ 877.777.8693 Monday - Friday, 8am-5pm EST

## Step 2: Drill Holes For Wires (continued)

3. After selecting and drilling the holes, insert your wire and pull it through the frame. The maximum drilled hole size should be no more than 1/2". Check out our video online for more wiring tips.

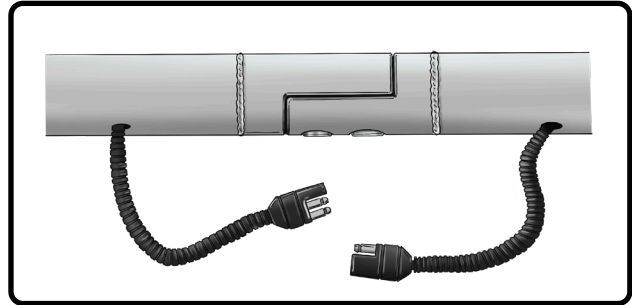


5. Run the wire through the frame and drilled holes until you come to the desired location such as the console or electronics box.



**PRO TIP:** We recommend covering the exposed wire with wire loom for a professional appearance.

4. When you come to a hinge, it is recommended to add a quick disconnect to the wire or give enough slack to allow the t-top to fold.



**PRO TIP:** When running your wire through, it is easiest to use lightweight string attached to the wire and a shop vacuum to suction the string through the drilled holes, then pulling the wire through.



\*Shown with Universal Mounting Bracket



Do you have questions? Call us @ 877.777.8693 Monday – Friday, 8am–5pm EST

3