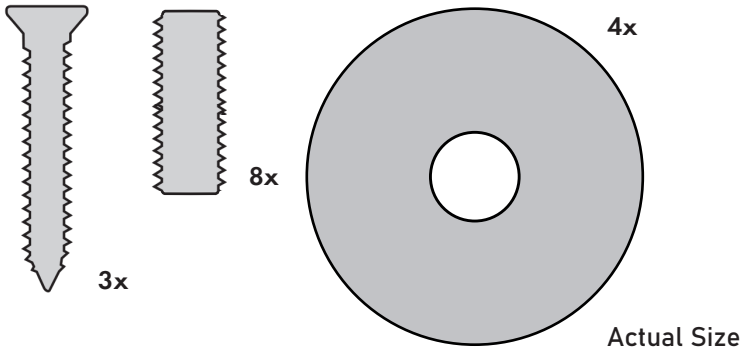


Casting Platform

INSTALLATION MANUAL

Included Hardware Identification



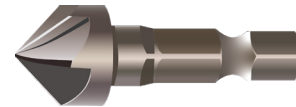
We are confident that you will up your fishing game with Fishmaster's Fishing Platform. Our non-slip molded deck surface will keep your feet firmly planted while you cast away. The Fishmaster casting platform features easily removed legs for fast storage.

Gather Additional Tools and Materials

Permanent Marker



45° Chamfer Drill Bit



Allen Wrench Set



Hand Drill



*Loctite® 242 Blue



3M™ 5200



13/64" Drill Bit



*Loctite® 242 Blue can be applied to any bolt during assembly to ensure a locking fit.

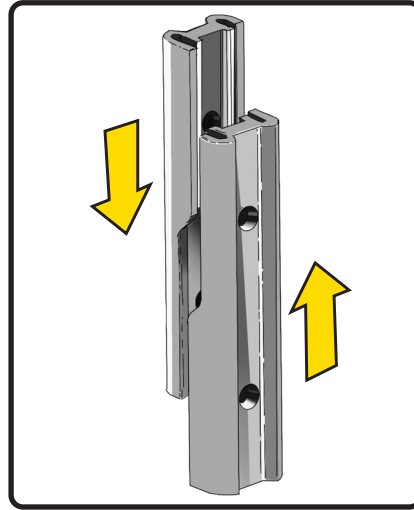
? Do you have questions? Call us @ 877.777.8693 Monday – Friday, 8am-5pm EST

Step 1: Assemble Tubing Connector

1. Gather the tube connector pieces.

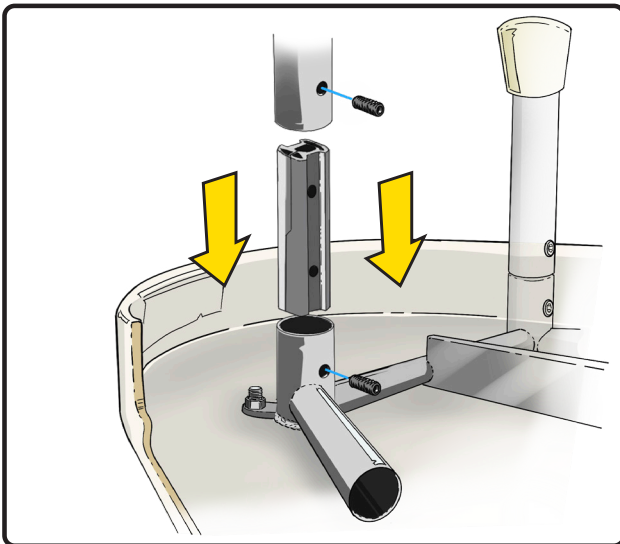


2. Slide the parts together.

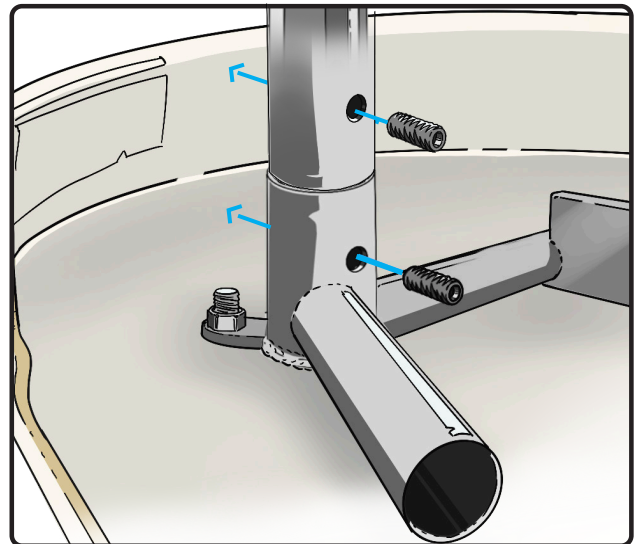


Step 2: Assemble Legs to Base

1. Insert the tube connector into the base and then slide the leg over the connector.



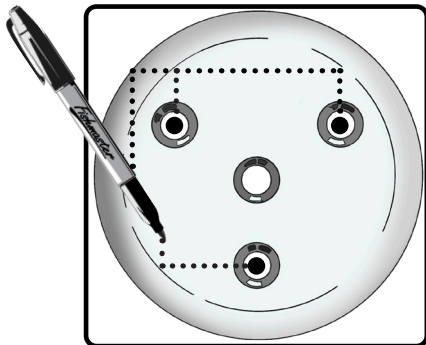
2. Thread screws into the holes of the legs and base.



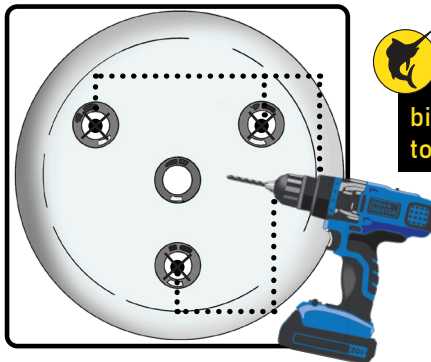
Do you have questions? Call us @ 877.777.8693 Monday - Friday, 8am-5pm EST

Step 3: Assemble and Mount the Base

1. Use permanent marker to mark all three drill locations.



2. Drill in reverse with 1/8" bit.
Drill all three holes.



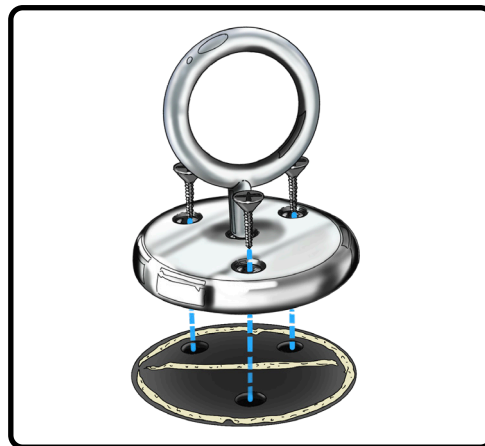
PRO TIP: Use a 45° chamfer bit after drilling the first holes to counter sink the holes.



3. Assemble the base by attaching the eyelet.



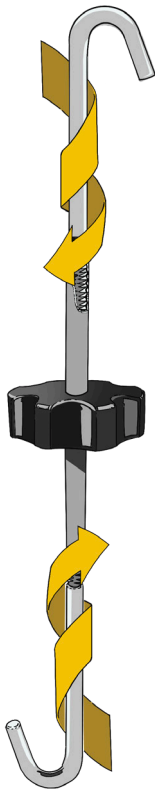
4. Apply 3M™ 5200 Adhesive to base and holes and then mount the base to the boat screwing it into place.



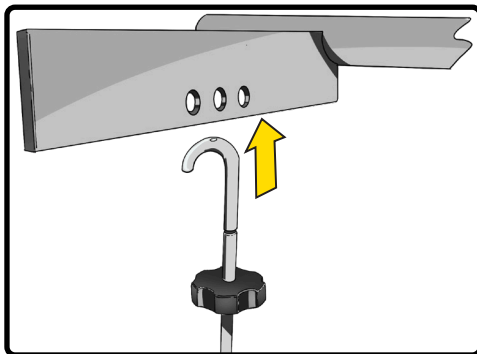
Do you have questions? Call us @ 877.777.8693 Monday – Friday, 8am-5pm EST

Step 4: Assemble Turnbuckle

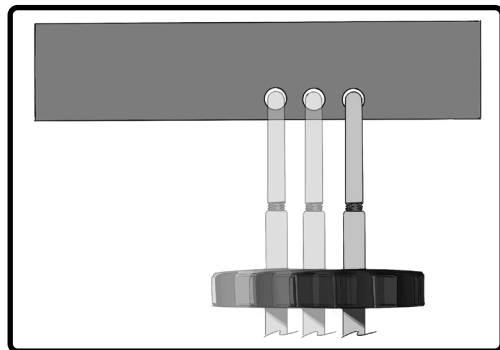
1. Assemble the turnbuckle by screwing in the eyelet into its base.



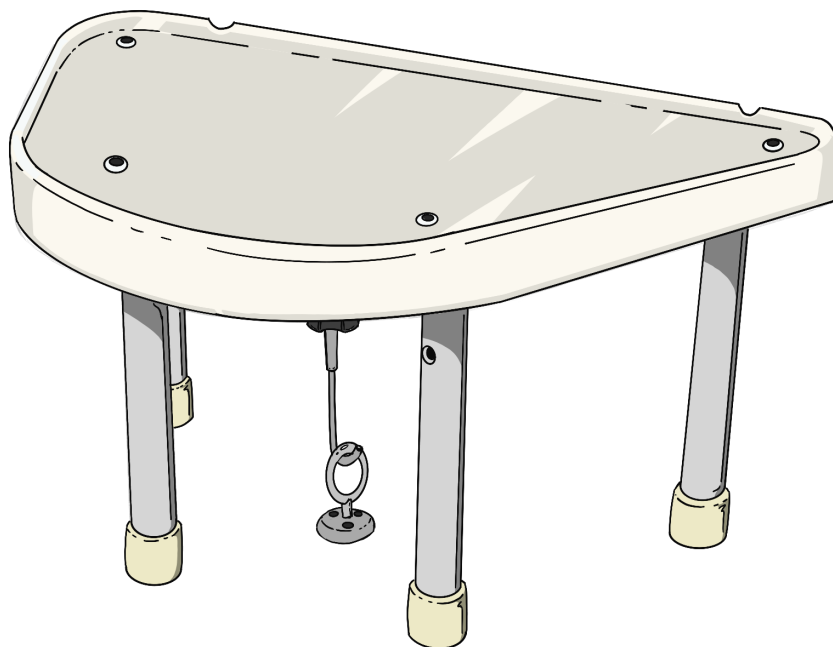
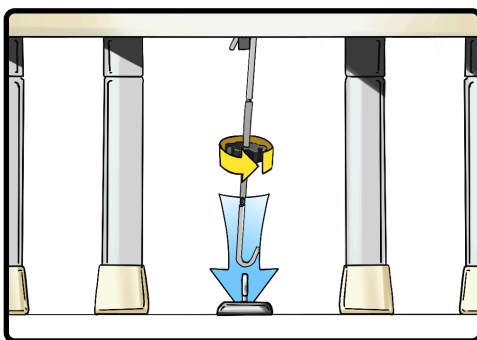
2. Attach the turnbuckle to frame rail.



3. Position the turnbuckle where needed.



4. Adjust base plate to be level with the bow of the boat.



Do you have questions? Call us @ 877.777.8693 Monday - Friday, 8am-5pm EST